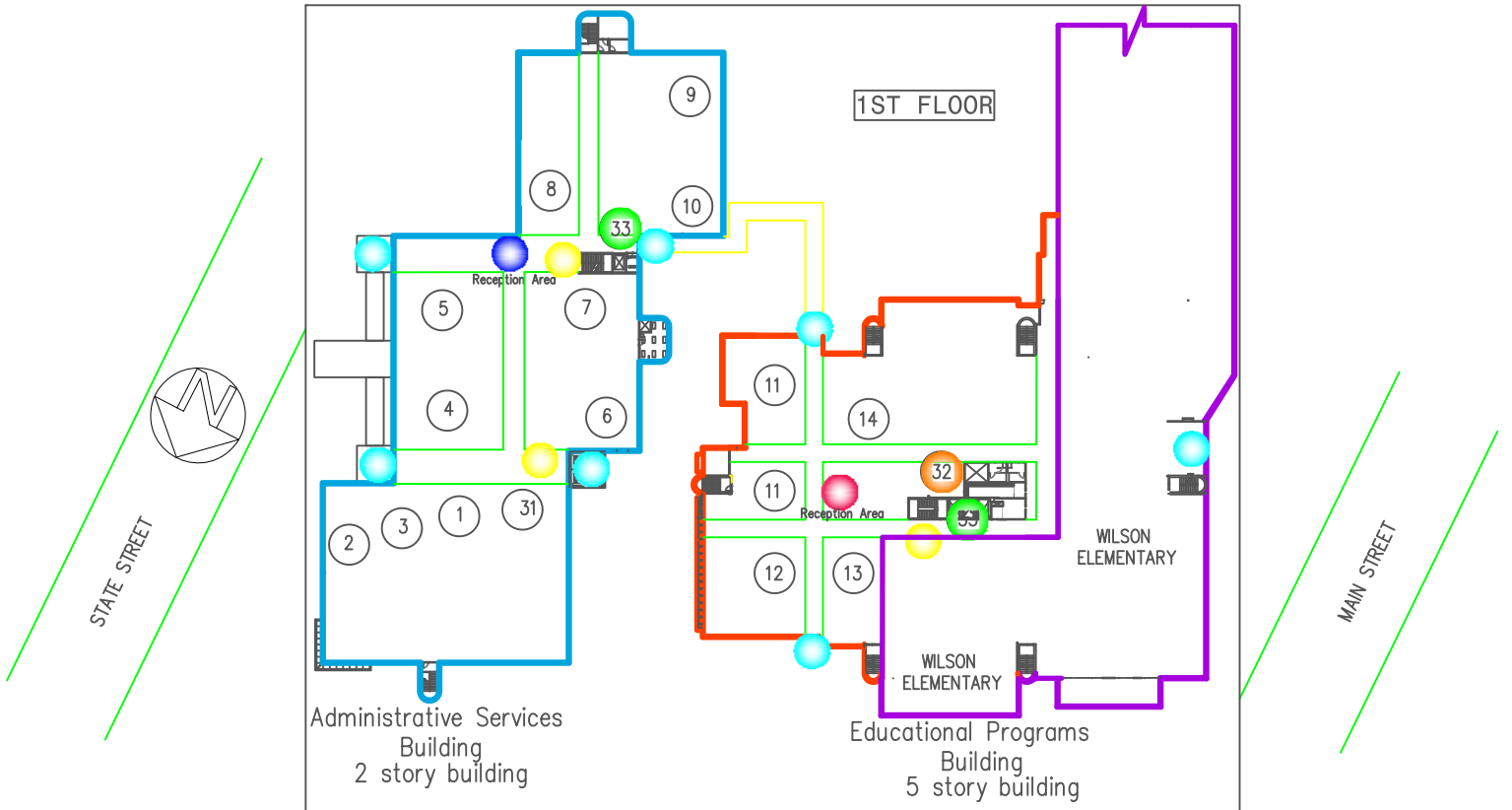
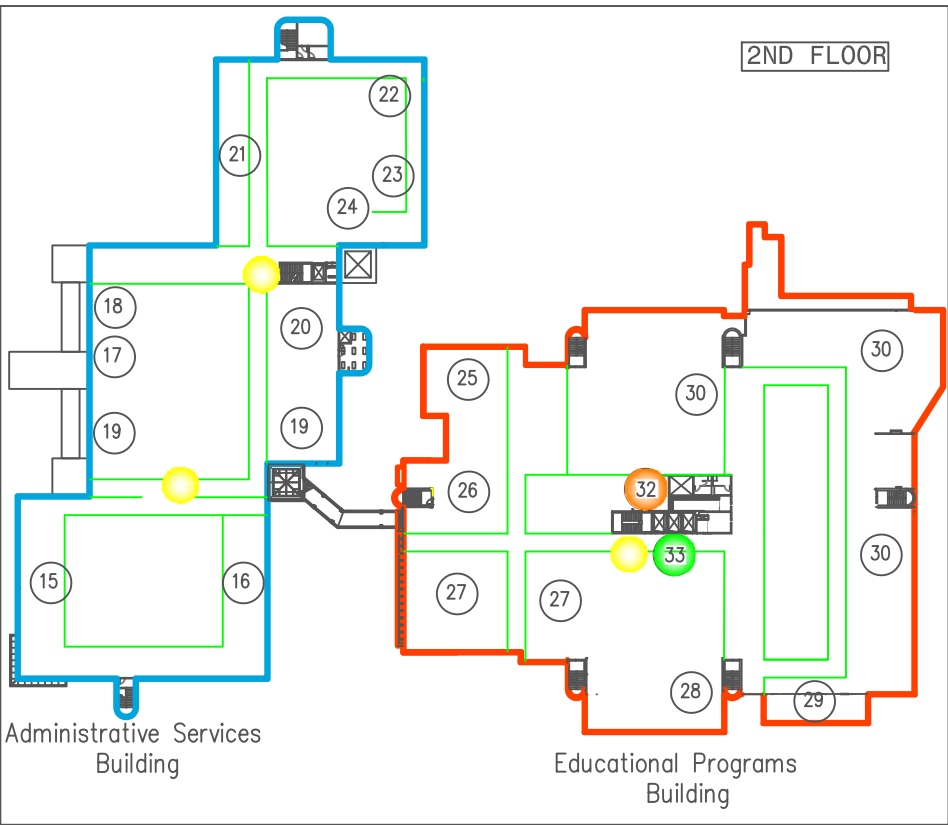


GRANITE EDUCATION CENTER



1. HUMAN RESOURCES
 2. PAYROLL
 3. BENEFITS / INSURANCE
 4. ART GALLERY
 5. MEETING ROOM
 6. YESS PROGRAM
 7. BOARD ROOM
 8. PURCHASING
 9. INFORMATION SYSTEMS
 10. BUDGET OFFICE
 11. STUDENT SERVICES
 12. MEETING ROOMS
 13. FAMILY CENTER
 14. GEC CAFE
 15. SPECIAL EDUCATION
 16. EDUCATION EQUITY
 17. BUSINESS ADMIN
 18. SUPERINTENDENT
 19. ASST. SUPERINTENDENTS
 20. COMMUNICATIONS
 21. SCHOOL SERVICES
 22. ARCH & ENG SERVICES
 23. CONSTRUCTION SERVICES
 24. PLANNING & BOUNDARIES
 25. CURRICULUM
 26. MEETING ROOMS
 27. STAFF DEVELOPMENT
 28. INSTRUCTIONAL TECH
 29. CTE
 30. BIO MANUFACTURING
 31. PRE SCHOOL SERVICES
 32. USU ELEVATORS
 33. ELEVATOR ACCESS
- ADMIN BLDG RECEPTION
 - PROGRAMS BLDG RECEPTION
 - BLDG ENTRANCES
 - ELEVATORS
 - USU ELEVATORS
 - STAIRWAYS



TEACHER LAB
(NORTH END OF
GEC COMPLEX)